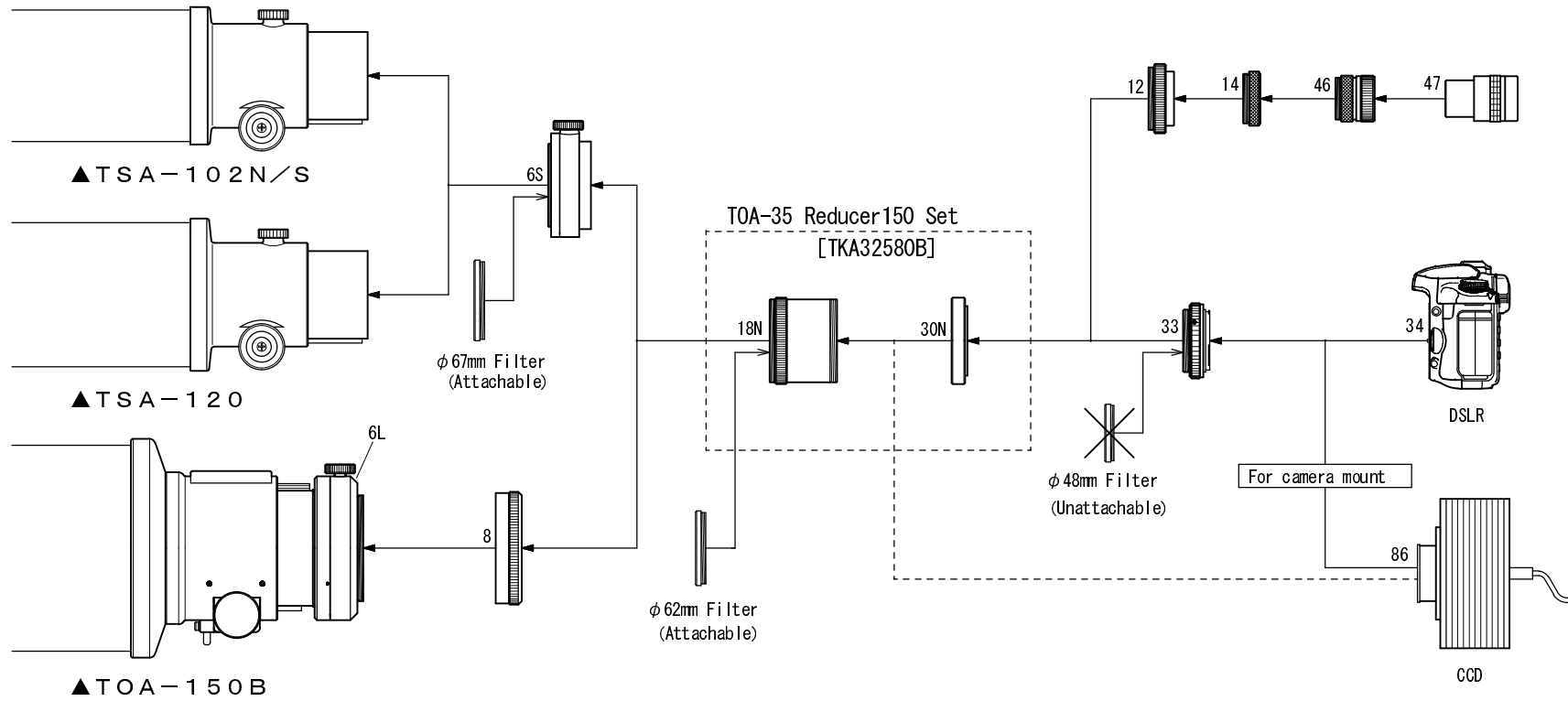


TOA-35 Reducer 150 Set System Chart (TOA-150B · TSA-102N/S · TSA-120)



<TOA-35 Reducer150Set> [TKA32580B]

- | | |
|---|--|
| 18N. TOA-35 Reducer [TKA32580] | 14. Coupling (S) [TKP00103] |
| 30N. CA Ring (TOA-150) [TKA32202] | 33. Camera mount DX-WR (EOS) [TKA01251]
Camera mount DX-WR (Nikon) [TKA01255] |
| 6L. CAA [TKP30200] | 34. DSLR |
| 6S. CAA (TSA-102) [TKA23200] | 46. Eyepiece adapter (31.7) [TKP00101] |
| 8. Coupling (TW) [TKP31003] | 47. Eyepiece (31.7) |
| 12. Visual adapter (CCA-250) [TKP86005] | 86. CCD |

